

FLOODLED SET-30

SENTRALISERT NØDLYS - ADRESSERBART

FloodLED SET-30 er en støv- og vanntett anti panikk armatur for sentraliserte nødlyssystemer

FloodLED SET-30 er et funksjonelt anti panikk nødlys for inn og utvendig installasjon, med meget høyt lysutbytte

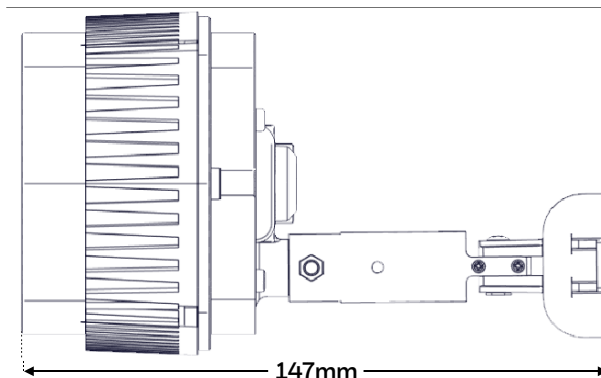
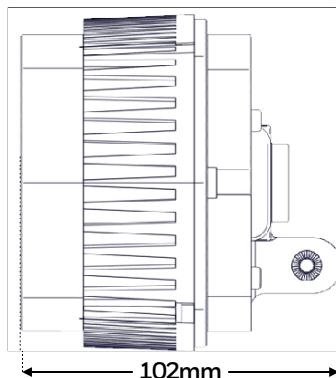
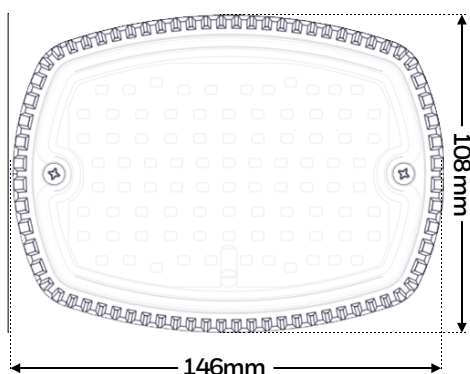
FloodLED SET-30 er designet både for nybygg og rehabilitering av eksisterende anlegg rømningsvei/antipanikk områder. Bruksområder er eksempelvis parkeringshus, lagerbygg, idrettshaller, kjøle/fryse lager og lignende.

FloodLED SET-30 har et høyt lysutbytte 2000 lumen og stor monteringsavstand, som gir en veldig kostnadseffektiv armatur med færre installasjonspunkter.



FUNKSJONER & FORDELER

- LED basert armatur for anti panikk.
- Leveres som sentralisert adresserbar armatur
- Enkel adressering, 1-32 med dreiebryter
- Høyt lysutbytte – 2000lm – færre installasjonspunkter
- Enkel og rask montasje og vedlikehold – mindre vedlikeholdskostnader
- Forventet levetid LED > 100 000 timer – mindre vedlikehold
- Omgivelsestemperatur ned til -30 °C
- IP66, støv- og vanntett armatur



TEKNISKE DATA FLOODLED SET-30

TEKNISKE DATA	
Leseavstand	N / A
Driftsspenning	200-240V AC/DC, 50-60Hz
Effektforbruk	14W / 15.5VA
Lyskilde	88 LED
Teknisk levetid (på lyskilde)	> 100 000 hours
Lysutbytte	2000lm
Produsert iht.	EN 60598-1, EN 60598-2-22, EN 55015, EN 61547, EN 61000-3-2, EN 61000-3-3
Omgivelsestemperatur (drift)	-30 to 40 °C
Fuktighet	Up to 95%
IK klassifisering	N/A
Tetthetsgrad	IP66
Dimensjoner	146x102x106 mm (without mounting accessories) 146x147x106 mm (with mounting accessories)
Vekt	530 – 570 (with mounting accessories) / 700 gr
Farge	RAL 7016
Materiale	PC/ABS, PC
Montasje	Wall/Ceiling Mounting

ARTIKKEL NR.	BESKRIVELSE
138015.S30	FloodLED IP66 SET-30 230V Centr

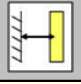


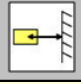
AVSTANDSTABELLER FloodLED SET-30

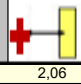
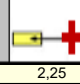
138015.S30 (2000lm)

Escape Route ER (1lux)						
Spacing table is based on following parameters:	Mounting height (m)					
		Maintenance factor: 1,0	6,0	9,74	23,76	24,80
Emergency light factor: 1,00	7,0	10,32	25,46	26,41	27,42	11,00
Minimum illuminance on center line: 1,00 lx	8,0	10,79	26,93	28,02	28,95	11,48
Minimum illuminance the half-width escape route: 0,50 lx	9,0	11,17	28,19	29,19	30,31	11,87
Maximum evenness on center line 40 : 1	10,0	11,45	29,30	30,24	31,21	12,08
Width of the escape route: 2,00 m	11,0	11,61	30,26	31,26	32,15	12,21
	12,0	11,71	31,10	32,10	33,19	12,46
	13,0	11,74	31,76	32,70	33,68	12,49
	14,0	11,73	32,32	33,19	34,11	12,35
	15,0	11,60	32,75	33,58	34,43	12,13
	16,0	11,35	32,91	33,95	34,79	11,74
	17,0	10,97	33,12	34,18	35,25	11,34
	18,0	10,53	33,21	34,25	35,34	10,84
	19,0	10,01	33,22	34,14	35,18	10,22
	20,0	9,38	33,14	33,97	34,88	9,64
	21,0	8,57	32,91	33,57	34,45	8,86
	22,0	7,48	32,48	33,07	33,77	7,77
	23,0	6,04	31,85	32,37	32,91	6,33
	24,0	3,99	31,07	31,59	32,11	4,24
	25,0	x	30,22	30,69	31,22	x

Escape Route ER (2lux)						
Spacing table is based on following parameters:	Mounting height (m)					
		Maintenance factor: 1,0	6,0	7,77	19,48	20,25
Emergency light factor: 1,00	7,0	8,08	20,64	21,31	22,00	8,52
Minimum illuminance on center line: 2,00 lx	8,0	8,22	21,59	22,32	22,97	8,69
Minimum illuminance the half-width escape route: 0,50 lx	9,0	8,30	22,34	23,01	23,74	8,83
Maximum evenness on center line 40 : 1	10,0	8,28	22,91	23,51	24,16	8,72
Width of the escape route: 2,00 m	11,0	8,12	23,22	23,89	24,43	8,44
	12,0	7,76	23,42	24,17	24,92	8,02
	13,0	7,31	23,49	24,19	24,98	7,48
	14,0	6,73	23,46	24,05	24,71	6,90
	15,0	5,91	23,21	23,67	24,27	6,12
	16,0	4,68	22,70	23,07	23,48	4,89
	17,0	2,74	21,95	22,32	22,68	2,91
	18,0	x	21,07	21,35	21,68	x

Anti-panic area (0,5 lux)						
Spacing table is based on following parameters:	Mounting height (m)					m ²
		Maintenance factor: 1,0	6,0	11,88	28,51	31,23
Emergency light factor: 1,00	7,0	12,73	30,73	33,52	13,70	1030
Minimum illuminance on center line: 0,5 lx	8,0	13,46	32,69	35,64	14,47	1165
E _{max} / E _{min} 40:1	9,0	14,09	34,52	37,41	15,14	1291
Distance from the wall: 0,50m	10,0	14,65	36,17	38,91	15,60	1407
	11,0	15,13	37,66	40,43	16,07	1523
	12,0	15,55	38,97	42,02	16,59	1638
	13,0	15,88	40,18	43,09	16,84	1731
	14,0	16,16	41,29	44,00	17,05	1817
	15,0	16,37	42,29	44,90	17,21	1899
	16,0	16,45	43,19	45,94	17,39	1984
	17,0	16,56	44,01	46,96	17,62	2067
	18,0	16,60	44,68	47,48	17,66	2121
	19,0	16,61	45,26	47,90	17,58	2168
	20,0	16,57	45,82	48,32	17,43	2214
	21,0	16,45	46,27	48,64	17,21	2251
	22,0	16,24	46,44	48,86	16,87	2269
	23,0	15,92	46,64	49,38	16,44	2303
	24,0	15,53	46,84	49,84	16,05	2335
	25,0	15,11	46,95	49,96	15,61	2346
	26,0	14,63	46,98	49,96	14,97	2347
	27,0	14,09	46,98	49,72	14,38	2336
	28,0	13,47	46,92	49,42	13,81	2319
	29,0	12,71	46,72	49,07	13,12	2293
	30,0	11,82	46,43	48,53	12,25	2253
	31,0	10,71	45,98	47,84	11,13	2200
	32,0	9,36	45,40	46,95	9,79	2132
	33,0	7,70	44,69	46,17	8,10	2063
	34,0	5,49	43,90	45,36	5,80	1991

Anti-panic area (1 lux)						
Spacing table is based on following parameters: Maintenance factor: 1,0 Emergency light factor: 1,00 Minimum illuminance on center line: 1 lx E _{max} / E _{min} 40:1 Distance from the wall: 0,50m	Mounting height (m)					m ²
		9,74	23,76	25,81	10,49	
6,0	6,0	9,74	23,76	25,81	10,49	613
7,0	7,0	10,32	25,46	27,41	10,99	698
8,0	8,0	10,79	26,93	28,95	11,48	780
9,0	9,0	11,17	28,19	30,29	11,86	854
10,0	10,0	11,45	29,30	31,20	12,07	914
11,0	11,0	11,61	30,26	32,15	12,21	973
12,0	12,0	11,71	31,10	33,18	12,45	1032
13,0	13,0	11,74	31,76	33,68	12,48	1070
14,0	14,0	11,73	32,32	34,11	12,34	1102
15,0	15,0	11,60	32,75	34,43	12,12	1128
16,0	16,0	11,35	32,91	34,79	11,73	1145
17,0	17,0	10,97	33,12	35,24	11,33	1167
18,0	18,0	10,53	33,21	35,33	10,83	1173
19,0	19,0	10,01	33,22	35,17	10,22	1168
20,0	20,0	9,38	33,14	34,87	9,64	1156
21,0	21,0	8,57	32,91	34,43	8,85	1133
22,0	22,0	7,48	32,48	33,75	7,77	1096
23,0	23,0	6,04	31,85	32,89	6,32	1048
24,0	24,0	3,99	31,07	32,10	4,21	997
25,0	25,0	x	30,22	31,22	x	

First aid post, fire fighting equipment and call point (5 lux)			
Spacing table, 5 lux According to EN 1838 First aid post, fire fighting equipment and call point shall be provided by 5 lux illuminance. For the purpose of this clause "near" is normally considered to be within 2 m measured horizontally	Mounting height (m)		
		2,06	2,25
2,0	2,0	2,06	2,25
2,5	2,5	3,10	3,38
3,0	3,0	3,84	4,14
3,5	3,5	4,23	4,53
4,0	4,0	4,54	4,83
5,0	5,0	4,98	5,28
6,0	6,0	5,19	5,47
7,0	7,0	5,25	5,54
8,0	8,0	5,12	5,29
9,0	9,0	4,73	4,85
10,0	10,0	4,15	4,25
11,0	11,0	3,13	3,23
12,0	12,0	0,66	0,63
13,0	13,0	x	x

For more information:
www.hls-eltek.no

Honeywell Life Safety AS
Postboks 236, 1372 Asker
fire.safety@honeywell.com
Tlf. 32244800 / 815 03 180

FloodLED SET-30

© 2020 Honeywell International Inc

Honeywell