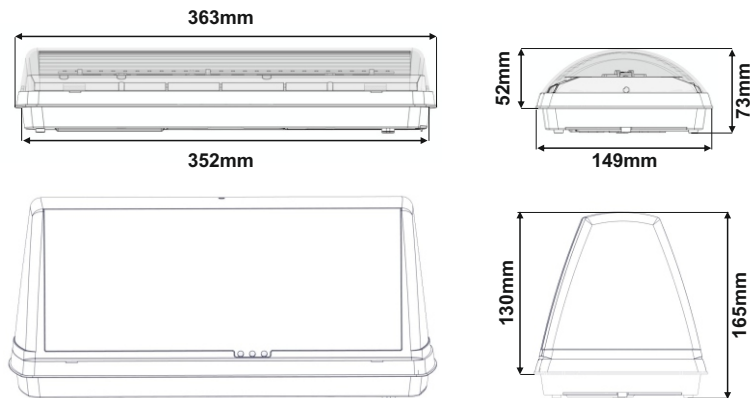
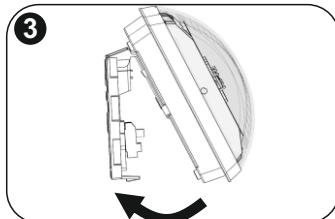
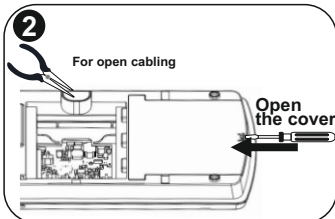
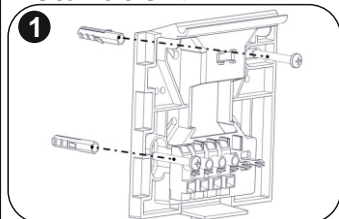


Addressable CBS Emergency Light

Dimensional Drawings:



Installation:



Step 1: Install the mounting bracket to the wall or ceiling. Connect the mains cables L, N and GND to the terminal block.

Step 2: If surface-mounted cables are used, trim the knock-out opening in the luminaire. To gain access to the module, open the cover. For more informations about module settings see the next page.

Step 3: Hook the luminaire onto the "hinge" on the bracket and swing inwards until it locks.

Technical description	UniLED Combi SET-10 230V w/Pict
Part no.:	290057.S10
Operation Voltage:	100-240V AC/DC, 50-60 Hz
Maximum Power Consumption:	3.6W / 4VA
Lumen output:	375 lm
Produced in accordance with:	EN 60598-1, EN 60598-2-22, EN 55015 EN 61547, EN 61000-3-2, EN 61000-3-3
Ambient Temperature Range:	-10 to 60 °C
Relative Humidity:	Up to 95%
Degree of cover protection:	IP20
Technical lifetime (light source):	> 100000 hours
Weight:	860 gr



The light source contained in this luminaire shall only be replaced by the manufacturer, or his agent, or a similar qualified person.

NOTE! The light source is non-user replaceable.

NOTE! The installer should fill in, on the specification label, the letter **G** if the luminaire is used as a safety sign.

Z 1

↑
G



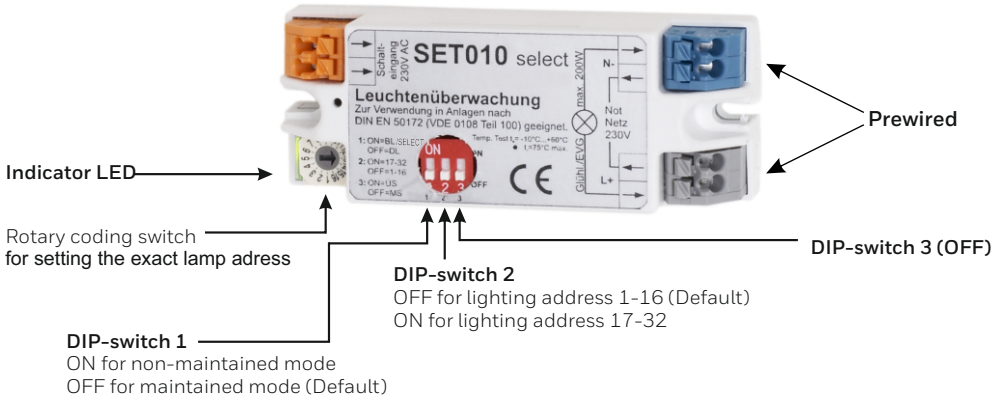
At the end of their useful life the packaging and product should be disposed of via a suitable recycling centre.
Do not dispose of with your normal household waste.
Do not burn.



SET010 select

MODULE FOR SINGLE LAMP SELECTION AND MONITORING

Switching of one selected light in the electric circuit



Attention!
Connect L and N correctly!
Exchanging L and N causes malfunction.

Function

By means of a suitable control, it is possible with the aid of the SET010 select to determine whether the lamp connected to it is ready for use or faulty.

In the mixed operation circuit, the connected lamp can also be additionally set in non-maintained mode or maintained mode (DIP Switch 1).

Settings

Setting the lighting address is carried out by a rotary coding switch that is easily accessible from the outside.

Lighting addresses 1 to 16 can be selected when DIP switch 2 is set to OFF.

The module is already prepared for administering a total of 32 lighting addresses.

The address range 17 to 32 can be selected by setting DIP switch 2 to ON.

(DIP switch 2 = ON and rotary coding switch = 1 is equivalent to lighting address 17 etc.)

Technical description	SET010 select
Dimensions (L x W x H in mm)	78 x 30 x 20
Temperature:	-10°C up to +60°C, T _{max} = +75°C
Cross section:	Max: 1.5mm ²