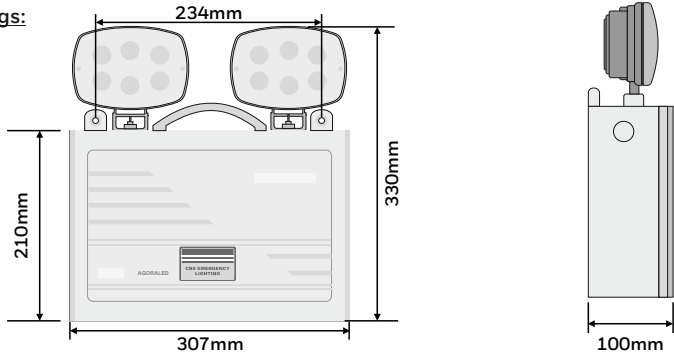
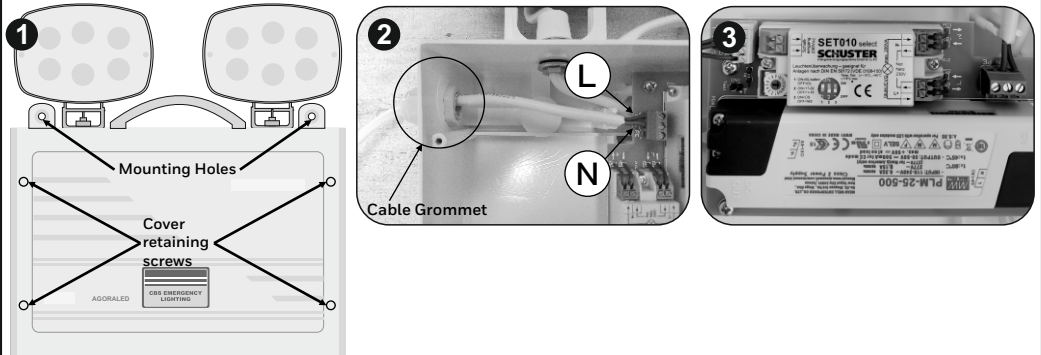


Dimensional Drawings:



Installation:



Step 1: Hold the device on the wall and mark the holes with a marker. The distance between the mounting holes is 234mm. Drill the holes. Use the supplied mounting accessories to mount the device. Remove the four cover retaining screws.

Step 2: Install the cable grommet and pass the round cable. Connect the cables to the respective positions in the terminal block L for phase and N for neutral. Always use in any case round mains cable, with external diameter of 6-9mm (H05RN-F type 2x1mm² or any other type, at least equal to it's mechanical and electrical properties). ATTENTION!! The cable must not be deformed in any way. Install the cable grommet and pass the round cable.

Step 3: Set the module address. For more information about module settings see the next page.

Step 4: Fasten the four retaining screws that was removed on step 1.

Technical description	AgoraLED IP65 2X6W SET-30 230V Centr
Part no.:	138173.S30
Operation Voltage:	220-240V AC/DC, 50-60 Hz
Maximum Power Consumption:	21.6W / 22VA
Lumen output:	2850 lm
Produced in accordance with:	EN 60598-1, EN 60598-2-22, EN 55015 EN 61547, EN 61000-3-2, EN 61000-3-3
Ambient Temperature Range:	-30 to 60 °C
Relative Humidity:	Up to 95%
Degree of cover protection:	IP65
Technical lifetime (light source):	> 100000 hours
Weight:	2300 gr



The light source contained in this luminary shall only be replaced by the manufacturer, or his agent, or a similar qualified person.

NOTE! The light source is non-user replaceable.



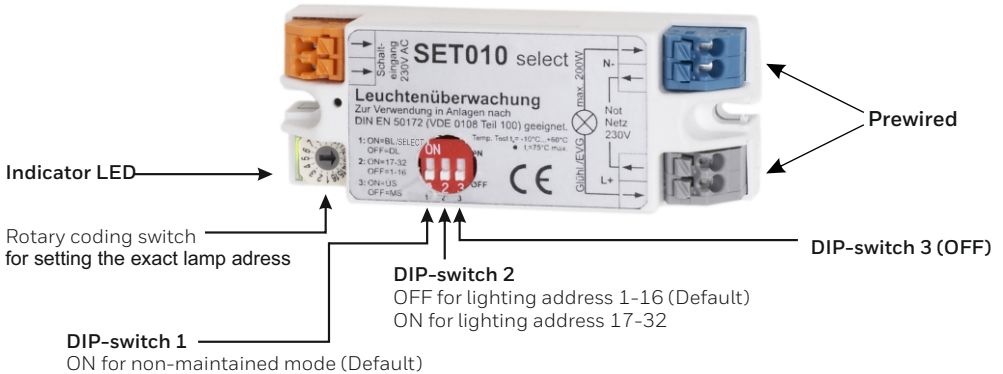
At the end of their useful life the packaging and product should be disposed of via a suitable recycling centre.
Do not dispose of with your normal household waste.
Do not burn.



SET010 select

MODULE FOR SINGLE LAMP SELECTION AND MONITORING

Switching of one selected light in the electric circuit



Attention!
Connect L and N correctly!
Exchanging L and N causes malfunction.

Function

By means of a suitable control, it is possible with the aid of the SET010 select to determine whether the lamp connected to it is ready for use or faulty.

Settings

Setting the lighting address is carried out by a rotary coding switch that is easily accessible from the outside.

Lighting addresses 1 to 16 can be selected when DIP switch 2 is set at OFF.

The module is already prepared for administering a total of 32 lighting addresses.

The address range 17 to 32 can be selected by setting DIP switch 2 to ON.

(DIP switch 2 = ON and rotary coding switch = 1 is equivalent to lighting address 17 etc.)

Technical description	SET010 select
Dimensions (L x W x H in mm)	78 x 30 x 20
Temperature:	-30°C up to +60°C, T_{cmax} = +75°C
Cross section:	Max: 1.5mm ²