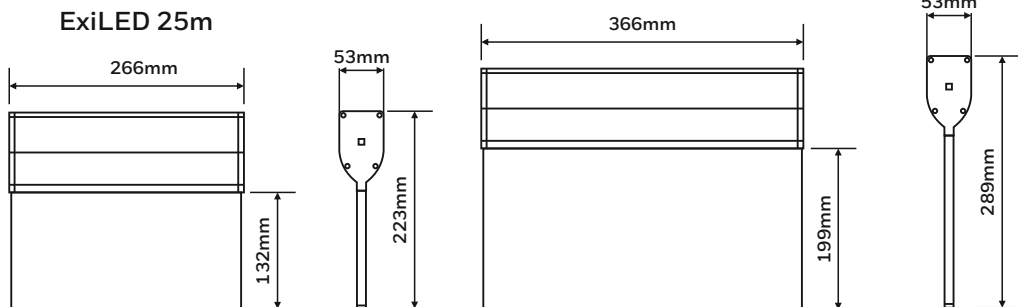
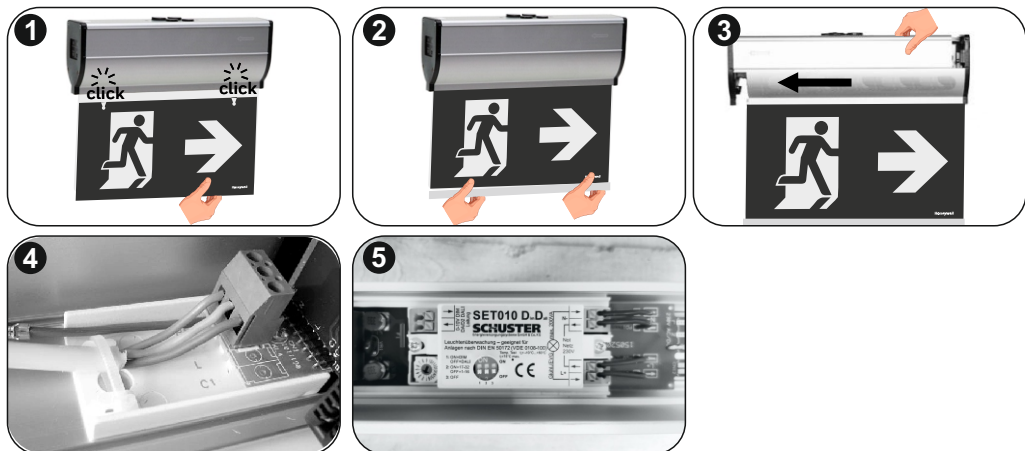


Addressable CBS Emergency Light

Dimensional Drawings:



Installation:



The product contains bracket for wall mounting and spacers for ceiling mounting.

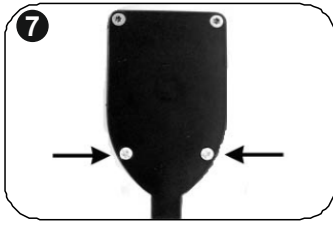
Step 1: For double sided pictogram, install the appropriate pictograms to both sides, push up until you hear click sound. For single sided pictogram, there is one blind pictogram in the package.

Step 2: Install the retaining clip to hold the pictograms.

Step 3: Dismantle the luminaire by sliding the mounting part as shown in picture. Fasten the mounting part (with screws from within) to either wall bracket(supplied), ceiling (with or without supplied spacers), pendulum, wire or flag bracket.

Step 4: Make a hole on a black grommet and pass the mains cables through it. Connect the mains cables to the terminal blocks: L for live wire, N for neutral and PE for ground. Power supply cables cross section should be 0.8 - 3 mm². Tighten the cable tie around the cables.

Step 5: Set the module address. For more information about module settings see the next page.



Step 6: Slide the two aluminium parts carefully together.

Step 7: Fasten the two screws (included) as shown in the picture.

Step 8: Fasten the two screws (included) as shown in the picture.

Technical description	ExiLED M 25m SET-10 230V w/pict	ExiLED M 40m SET-10 230V w/pict
Part no.:	138087.S10	138126.S10
Operation Voltage:	100-240V AC/DC, 50-60 Hz	
Maximum Power Consumption:	2.5W / 3VA	3W / 3.45VA
Lumen output:	200 lm	240 lm
Produced in accordance with:	EN 60598-1, EN 60598-2-22, EN 55015 EN 61547, EN 61000-3-2, EN 61000-3-3	
Ambient Temperature Range:	-10 to 60 °C	
Relative Humidity:	Up to 95%	
Degree of cover protection:	IP40	
Technical lifetime (light source):	> 100000 hours	
Weight:	480 gr	620 gr



At the end of their useful life the packaging and product should be disposed of via a suitable recycling centre.
Do not dispose of with your normal household waste.
Do not burn.



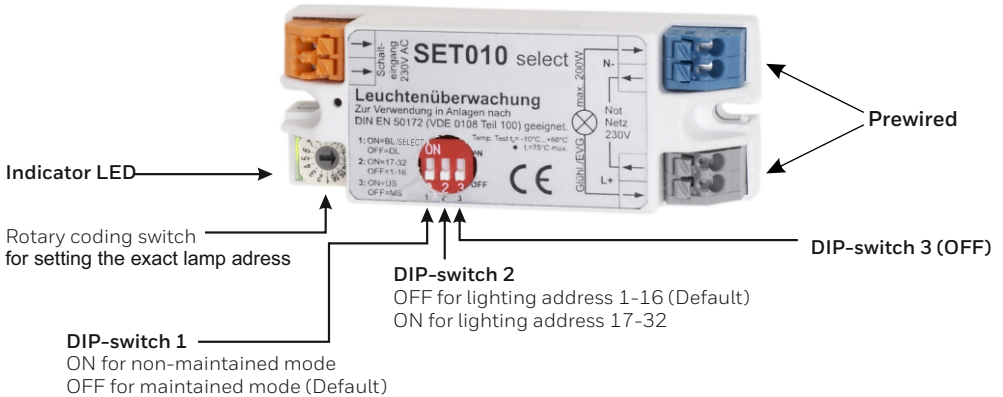
The light source contained in this luminary shall only be replaced by the manufacturer, or his agent, or a similar qualified person.

NOTE! The light source is non-user replaceable.

SET010 select

MODULE FOR SINGLE LAMP SELECTION AND MONITORING

Switching of one selected light in the electric circuit



Attention!
Connect L and N correctly!
Exchanging L and N causes malfunction.

Function

By means of a suitable control, it is possible with the aid of the SET010 select to determine whether the lamp connected to it is ready for use or faulty.

In the mixed operation circuit, the connected lamp can also be additionally set in non-maintained mode or maintained mode (DIP Switch 1).

Settings

Setting the lighting address is carried out by a rotary coding switch that is easily accessible from the outside.

Lighting addresses 1 to 16 can be selected when DIP switch 2 is set to OFF.

The module is already prepared for administering a total of 32 lighting addresses.

The address range 17 to 32 can be selected by setting DIP switch 2 to ON.

(DIP switch 2 = ON and rotary coding switch = 1 is equivalent to lighting address 17 etc.)

Technical description	SET010 select
Dimensions (L x W x H in mm)	78 x 30 x 20
Temperature:	-10°C up to +60°C, $T_{cmax} = +75°C$
Cross section:	Max: 1.5mm ²