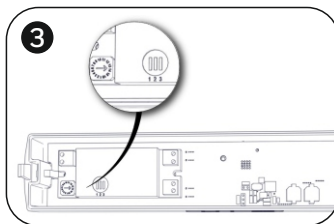
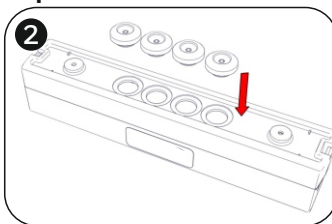
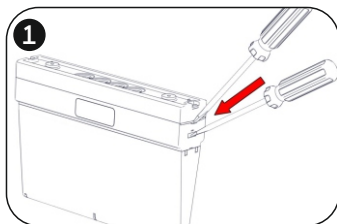


## Common Installation Steps:



**MultiLED can be used as an emergency luminaire or an exit sign. See the next page for mounting methods. Below some common steps to follow.**

**Step 1:** Place a flat blade screwdriver to remove the transparent legend and the top cover from the main body by pressing gently on the retaining clips as shown in picture.

**Step 2:** Install the four included cable gaskets into the cable entry holes (verify that is not deformed).

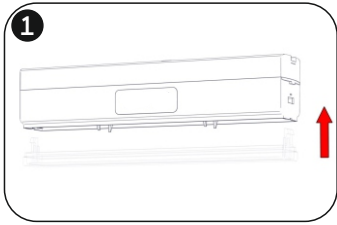
**Step 3:** Set the module address. For more information about module settings see the next page.

Technical description	MultiLED Combi SET-10 230V w/pict Centr
Part no.:	138008.S10
Operation Voltage:	220-240V AC/DC, 50-60 Hz
Maximum Power Consumption:	3.7W / 4.1VA
Lumen output	340lm
Produced in accordance with:	EN 60598-1, EN 60598-2-22, EN 55015 EN 61547, EN 61000-3-2, EN 61000-3-3
Ambient Temperature Range:	-10 to 60 °C
Relative Humidity:	Up to 95%
Degree of cover protection:	IP44
Technical lifetime (light source):	> 100000 hours
Weight:	470 gr

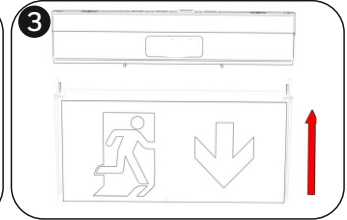
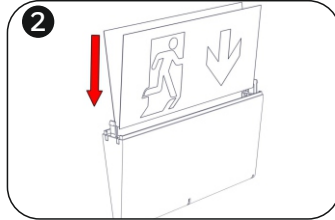
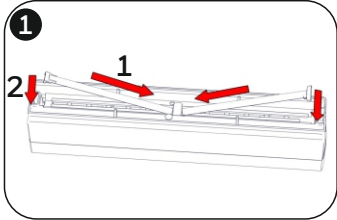


At the end of their useful life the packaging and product should be disposed of via a suitable recycling centre. Do not dispose of with your normal household waste. Do not burn.



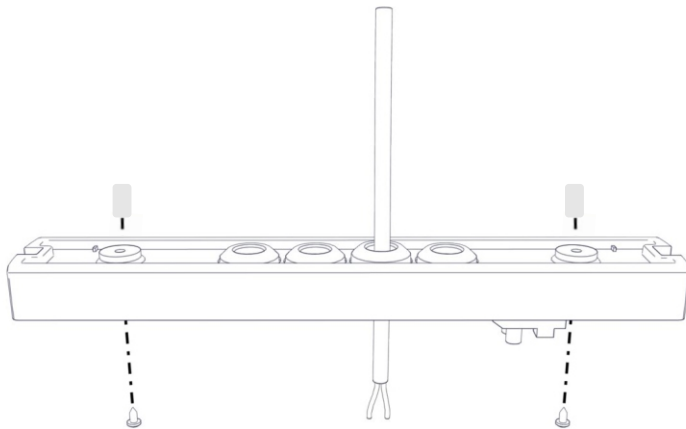


**Step 1:** To use MultiLED as an emergency luminaire, install the provided lens.



- Step 1:** To use MultiLED as an exit sign, install the provided two lens, mind the correct orientation, as show in picture 1.
- Step 2:** For double sided pictogram, install the appropriate pictograms to both sides. For single sided pictogram, there is one blind pictogram in the package.
- Step 3:** Install the the transparent legend with the pictograms to the luminaire's base.

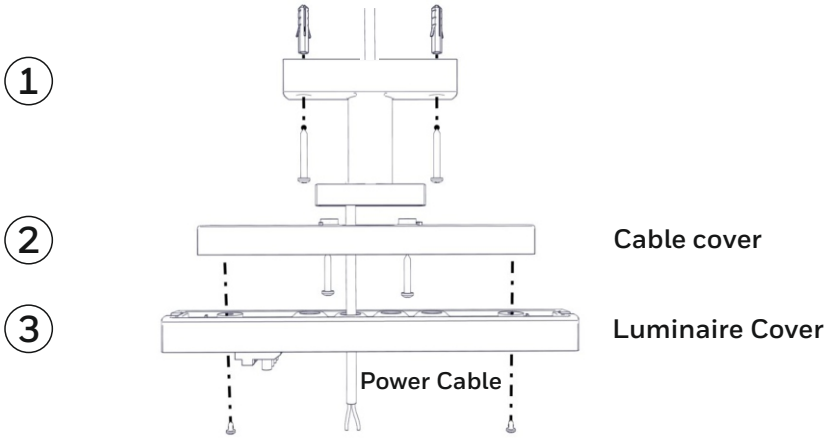
**Mounting Methods**  
**Ceiling Mounting**



**Installation:**

Make a hole into the desired gasket by using a small screwdriver. Pass the round cable through the gasket. Install the luminaire top cover on the ceiling with the included mounting parts.

**Hanging Mounting**

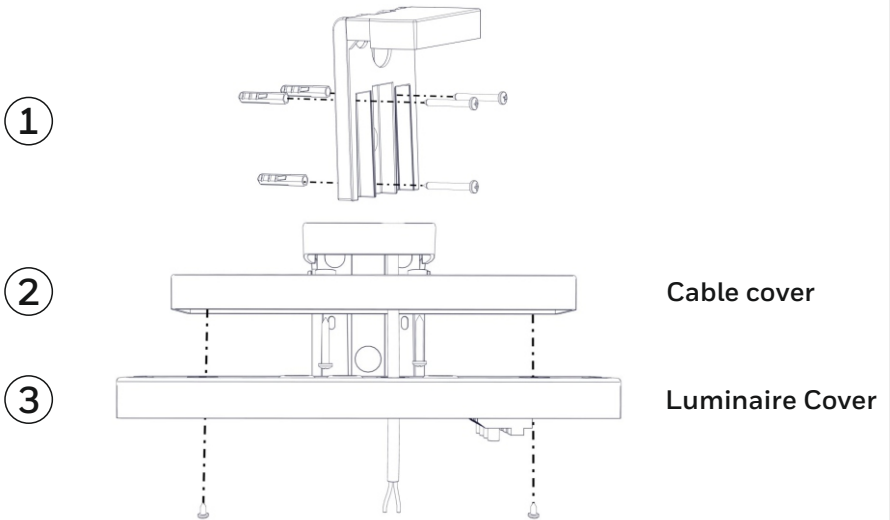


**Step 1:** Pass the cables through the hanging accessory and install it on the ceiling with the included mounting parts.

**Step 2:** Screw the cable cover on the hanging accessory with the two included mounting screws and pass through the power cable.

**Step 3:** Screw the luminaire cover to the cable cover with the two included mounting screws and pass through the power cable.

**Surface mounting on the wall**

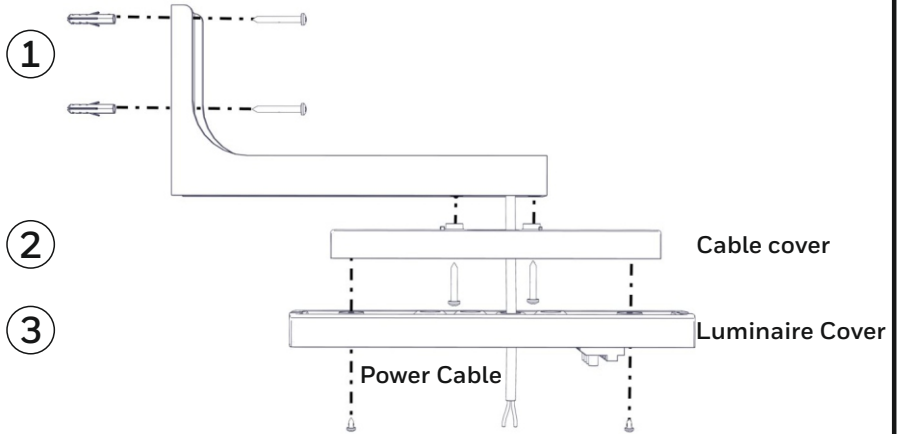


**Step 1:** Pass the cables through the plastic bracket and install it on the wall with the included mounting parts.

**Step 2:** Screw the cable cover on the plastic bracket with the two included mounting screws and pass through the power cable.

**Step 3:** Screw the luminaire cover to the cable cover with the two included mounting screws and pass through the power cable.

### Flag Bracket Mounting (Optional After Request Part No.298100.1)

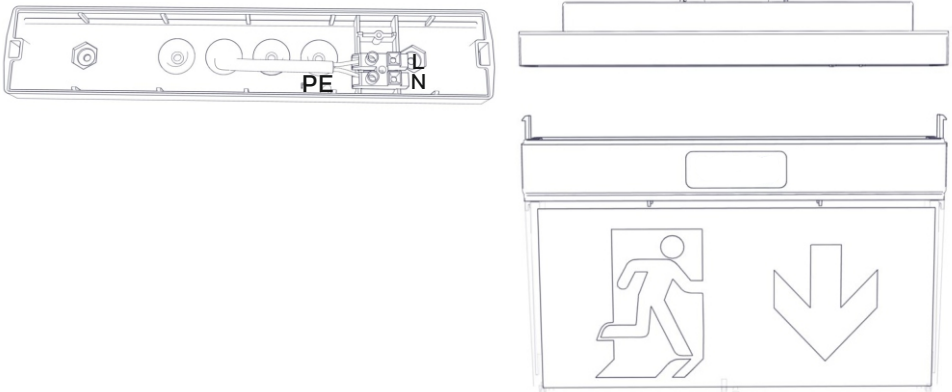


**Step 1:** Pass the cables through the flag bracket and install it on the wall with the included mounting parts.

**Step 2:** Screw the cable cover on the flag bracket with the two included mounting screws and pass through the power cable.

**Step 3:** Screw the luminaire cover to the cable cover with the two included mounting screws and pass through the power cable.

### After the desired mounting methods, follow the steps bellow



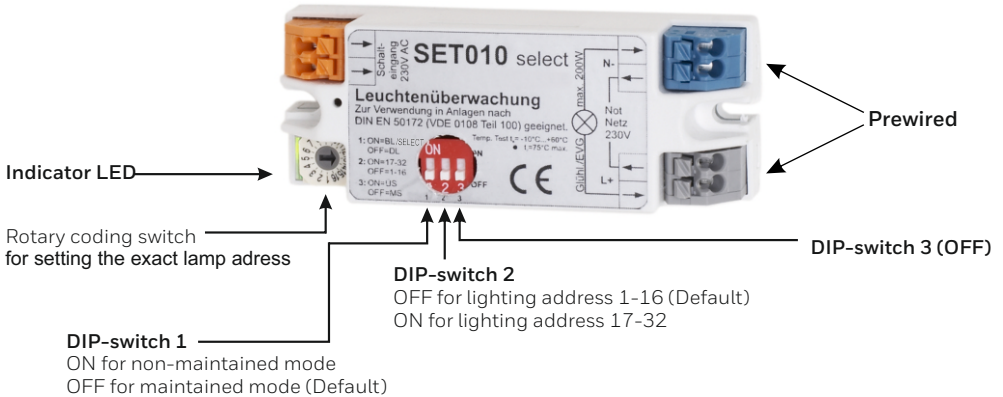
Connect the main cables to the respective terminal block. **N** for neutral, **L** for live wire and **PE** (optional) for ground wire. Always use in any case round mains cable, with a diameter of 5-10mm (H05RN-F type 2x1mm<sup>2</sup> or any other type, at least equal to it's mechanical and electrical properties). ATTENTION!! The cable must not be deformed in any way (This requirement is important to ensure the IP rating).

**Push the plastic base of the luminaire to the luminaire's cover.**

# SET010 select

## MODULE FOR SINGLE LAMP SELECTION AND MONITORING

Switching of one selected light in the electric circuit



**Attention!**  
Connect L and N correctly!  
Exchanging L and N causes malfunction.

## Function

By means of a suitable control, it is possible with the aid of the SET010 select to determine whether the lamp connected to it is ready for use or faulty.

In the mixed operation circuit, the connected lamp can also be additionally set in non-maintained mode or maintained mode (DIP Switch 1).

## Settings

Setting the lighting address is carried out by a rotary coding switch that is easily accessible from the outside.

Lighting addresses 1 to 16 can be selected when DIP switch 2 is set to OFF.

The module is already prepared for administering a total of 32 lighting addresses.

The address range 17 to 32 can be selected by setting DIP switch 2 to ON.

(DIP switch 2 = ON and rotary coding switch = 1 is equivalent to lighting address 17 etc.)

Technical description	SET010 select
Dimensions (L x W x H in mm)	78 x 30 x 20
Temperature:	-10°C up to +60°C, T <sub>critmax</sub> = +75°C
Cross section:	Max: 1.5mm <sup>2</sup>