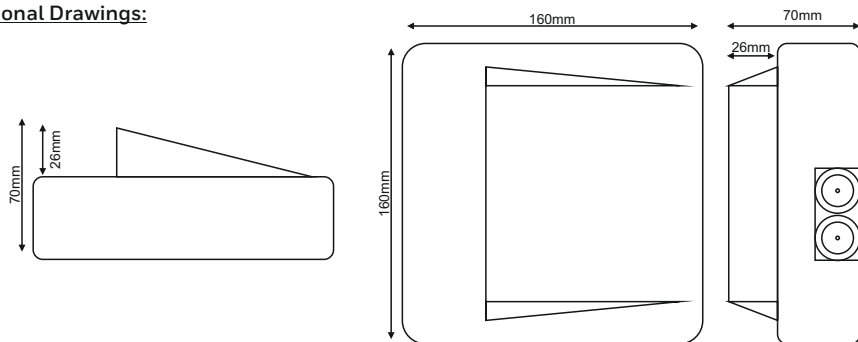
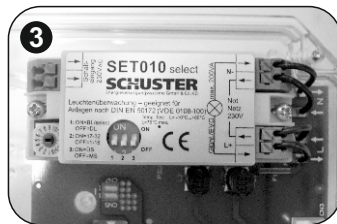


## Dimensional Drawings:



## Installation:



**Step 1:** Unfasten the front screw and remove the cover.

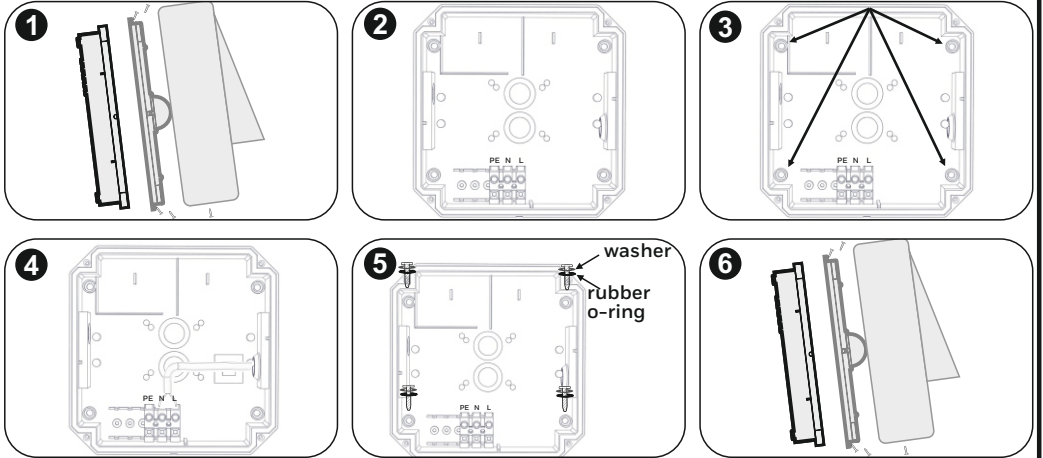
**Step 2:** Unfasten the four retaining screws without removing them and remove the diffuser.

**Step 3:** Set the module address. For more information about module settings see the next page.

Technical description	SeqLED SET-10 230V Centr
Part no.:	138005.S10
Operation Voltage:	220-240V AC/DC, 50-60 Hz
Maximum Power Consumption:	3.8W / 4.2VA
Lumen output:	280 lm
Produced in accordance with:	EN 60598-1, EN 60598-2-22, EN 55015 EN 61547, EN 61000-3-2, EN 61000-3-3
Ambient Temperature Range:	-10 to 60 °C
Relative Humidity:	Up to 95%
Degree of cover protection:	IP65
Technical lifetime (light source):	> 100000 hours
Weight:	500 gr

## MOUNTING METHODS

### Surface mounting on the wall



#### INSTALLATION

- Step 1:** Unfasten the front screw and remove the cover. Next, unfasten the four retaining screws without removing them and remove the diffuser.
- Step 2:** Install the supplied cable gasket from the inside of the plastic base.
- Step 3:** Use a drill with a 3,5mm bit to open the 4 mounting holes located in the plastic base. Place the luminaire on the desired mounting location and mark and drill these 4 holes. Fit the supplied 4 plastic mounting plugs to these drilled holes on the mounting location.
- Step 4:** Open a cable entry cutout hole on the plastic base and install the supplied cable gasket. Make a hole in the center into the desired gasket by using a small screwdriver and pass the round cable through the gasket. Connect the main cables to the respective terminal block: N for neutral, L for live wire and PE for ground wire. Install the included tie (if needed) to fasten securely the power cables. Always use in any case round mains cable, with a diameter of 5-10mm (H05RN-F type 2x1mm<sup>2</sup> or any other type, at least equal to it's mechanical and electrical properties). ATTENTION!! The cable must not be deformed in any way (This requirement is important to ensure the IP rating).
- Step 5:** Mount the base to the desired location by using the supplied screws, washers and o-rings in each mounting hole.
- Step 6:** Re-install the diffuser , fasten the four retaining screws,refit the cover and fasten the screw that was removed in **step 1**.



The light source contained in this luminaire shall only be replaced by the manufacturer, or his agent, or a similar qualified person.

*NOTE!* The light source is non-user replaceable.



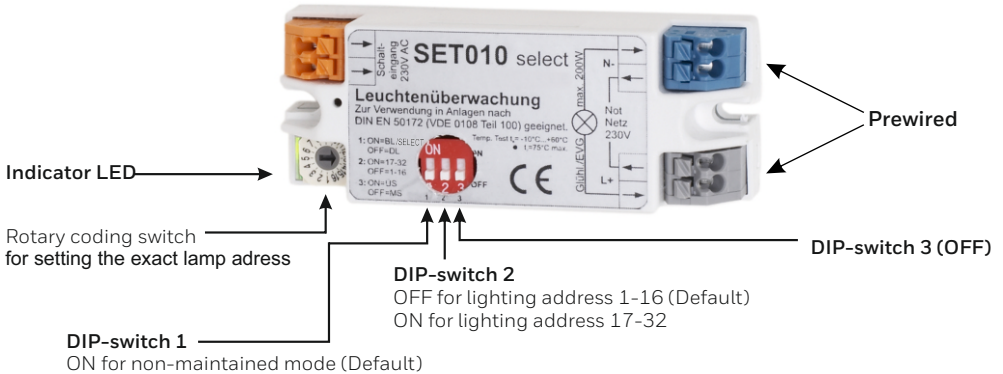
At the end of their useful life the packaging and product should be disposed of via a suitable recycling centre.  
Do not dispose of with your normal household waste.  
Do not burn.



# SET010 select

## MODULE FOR SINGLE LAMP SELECTION AND MONITORING

Switching of one selected light in the electric circuit



**Attention!**  
**Connect L and N correctly!**  
**Exchanging L and N causes malfunction.**

## Function

By means of a suitable control, it is possible with the aid of the SET010 select to determine whether the lamp connected to it is ready for use or faulty.

## Settings

Setting the lighting address is carried out by a rotary coding switch that is easily accessible from the outside.

Lighting addresses 1 to 16 can be selected when DIP switch 2 is set at OFF.

The module is already prepared for administering a total of 32 lighting addresses.

The address range 17 to 32 can be selected by setting DIP switch 2 to ON.

(DIP switch 2 = ON and rotary coding switch = 1 is equivalent to lighting address 17 etc.)

Technical description	SET010 select
Dimensions (L x W x H in mm)	78 x 30 x 20
Temperature:	-10°C up to +60°C, $T_{cmax}$ = +75°C
Cross section:	Max: 1.5mm <sup>2</sup>