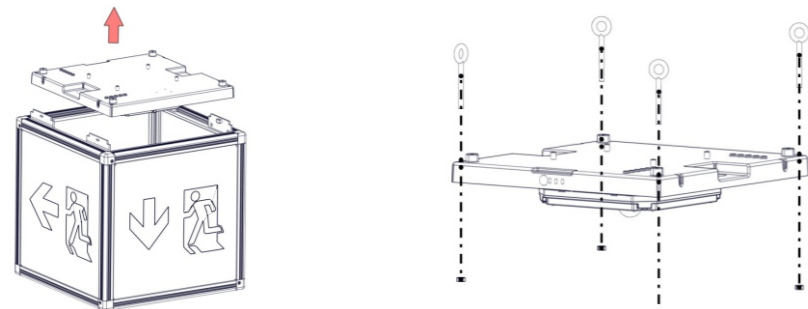


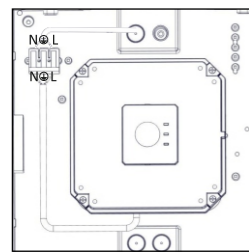
## Hanging Installation



Remove the top cover of the luminaire. Fasten the four supplied eyebolts with the nuts and hang the top cover.

1

2

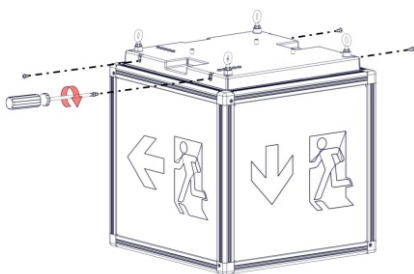


Connect the mains cable. N for neutral, L for live and ⊕ for ground.

3

4

Place the bottom part of the luminaire to the top cover.



To mount the luminaire, fasten the four supplied screws to the luminaire's top cover.

5

NOTE: LED= Light Emitting Diode  
 LABELING EXPLANATION:  
 Z: Central supply  
 1: Maintained operation (\*)  
 E: With non-replacable lamp(s) and/or battery  
 G: Internally illuminated safety sign

(\*) **Maintained operation:** The luminaire lights its illumination source, when it is powered by the mains power supply or not.  
**Non Maintained operation:** The luminaire lights its illumination source, only in power supply's failure.

### ATTENTION!!!

The light source of this luminaire is not replaceable. When the light source reaches its end of life the whole luminaire shall be replaced.

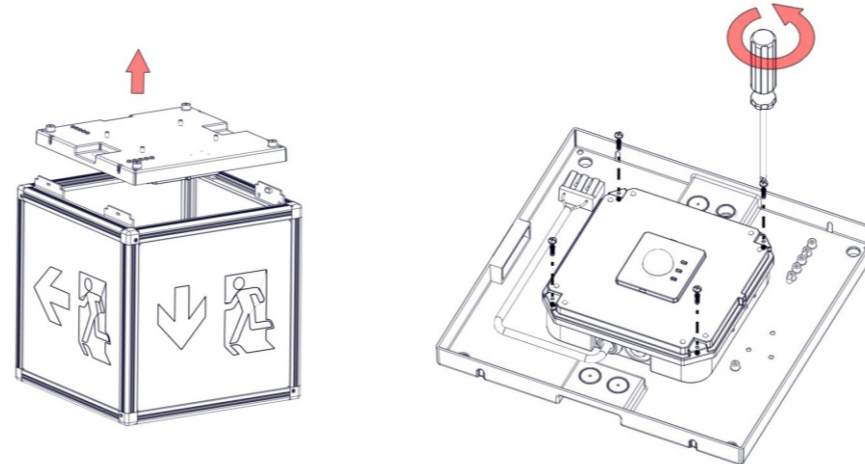
## Technical Characteristics

### Cube M 50m SET-10 230V w/pict Centr

OPERATION VOLTAGE	220-240V AC/DC, 50-60Hz
MAXIMUM POWER CONSUMPTION	4 W / 4.4 VA
LIGHT SOURCE	16 white LEDs
ILLUMINATION	410lm
DEGREES OF COVER PROTECTION	IP40
PRODUCED IN ACCORDANCE WITH	EN 60598-1, EN 60598-2-22, EN 55015 EN 61547, EN 61000-3-2, EN 61000-3-3
VIEWING DISTANCE	50 m
OPERATION TEMPERATURE RANGE	-10 to 50 °C
RELATIVE HUMIDITY	Up to 95%
CONSTRUCTION MATERIAL	Aluminum, ABS/PC, PC, Acrylic plate
EXTERNAL DIMENSION (L x W x H)	310 x 310 x 330 mm
WEIGHT	2520gr.

4

## SET010 select



Remove the top cover of the luminaire. Unfasten the four retaining screws without removing them and remove the diffuser. Set the module address.

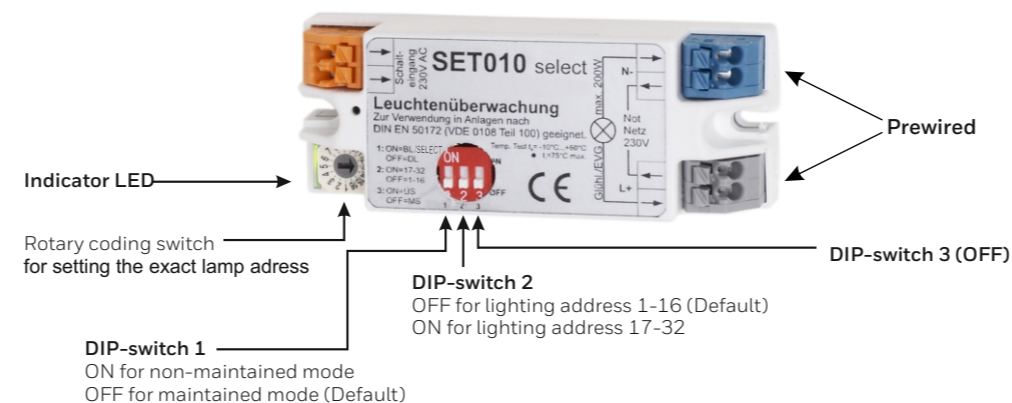
1

2

## SET010 select

### MODULE FOR SINGLE LAMP SELECTION AND MONITORING

Switching of one selected light in the electric circuit



**Attention!**  
 Connect L and N correctly!  
 Exchanging L and N causes malfunction.

### Function

By means of a suitable control, it is possible with the aid of the SET010 select to determine whether the lamp connected to it is ready for use or faulty. In the mixed operation circuit, the connected lamp can also be additionally set in non-maintained mode or maintained mode (DIP Switch 1).

### Settings

Setting the lighting address is carried out by a rotary coding switch that is easily accessible from the outside. Lighting addresses 1 to 16 can be selected when DIP switch 2 is set at OFF. The module is already prepared for administering a total of 32 lighting addresses. The address range 17 to 32 can be selected by setting DIP switch 2 to ON. (DIP switch 2 = ON and rotary coding switch = 1 is equivalent to lighting address 17 etc.)

Technical description	SET010 select
Dimensions (L x W x H in mm)	78 x 30 x 20
Temperature:	-10°C up to +60°C, T <sub>cmx</sub> = +75°C
Cross section:	Max: 1.5mm <sup>2</sup>

5

Honeywell Life Safety AS  
 Po. Box 3514, N-3007 Drammen, Norway  
<http://www.hls-nordic.com>

**Honeywell**



Cube M 50m SET-10 230V w/pict Centr

ADDRESSABLE CBS EMERGENCY LIGHT



## Package Contents

1	Luminaire
1	Mounting accessories
1	Indication sign
1	Manual

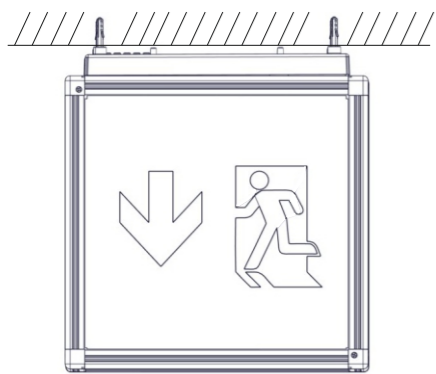
## General

### ATTENTION!!

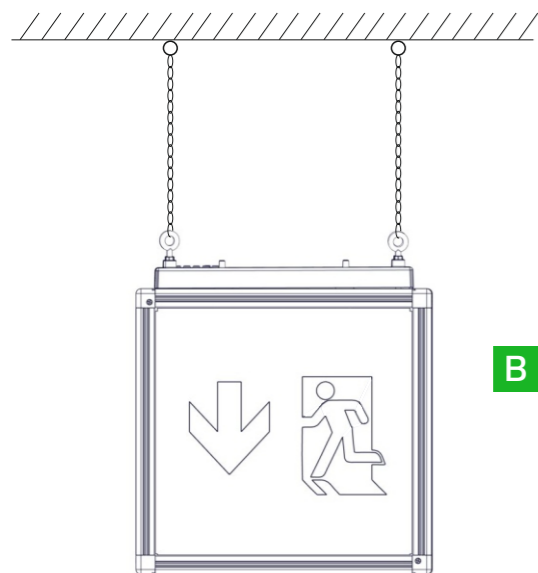
- Operations for installation, maintenance or testing must be done by authorized personnel, only when the device is disconnected from the mains power supply.
- The device must be connected to the mains power supply through a fuse dependent by the total amount of the line's power load.

## Installation Methods

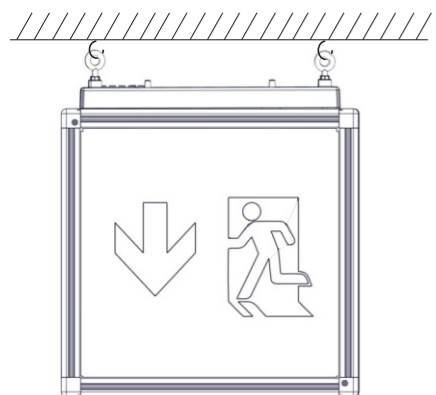
The luminaire can be installed in 3 different ways. It can be installed either at the ceiling, either hanging (hanging with chain and hanging with eye bolts). For ceiling installation special accessories are including. For hanging installation only eye bolts are including.



**A** Ceiling mounting



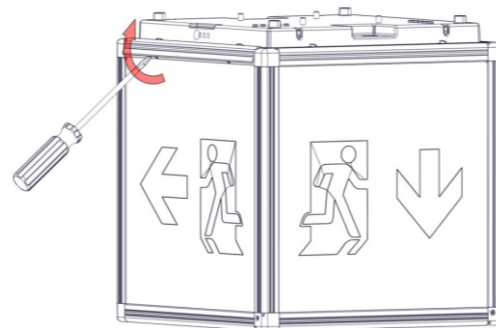
**B** Hanging installation with chain



**C** Hanging installation with hooks

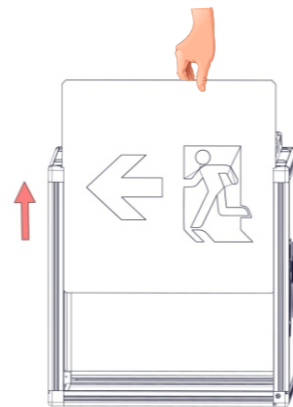
## Installation Instructions

### Changing Pictograms



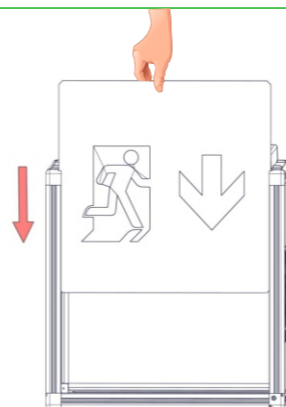
Place the appropriate pictograms according to the position of the luminaire. Firstly, remove the retaining plastic clip.

**1**



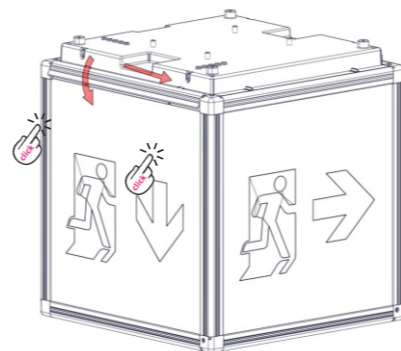
Remove the existing pictogram.

**2**



Place the appropriate pictogram.

**3**

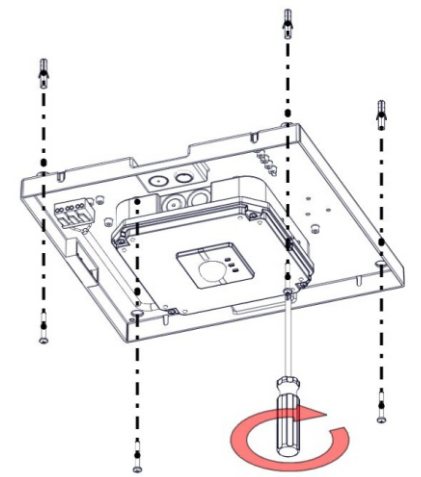
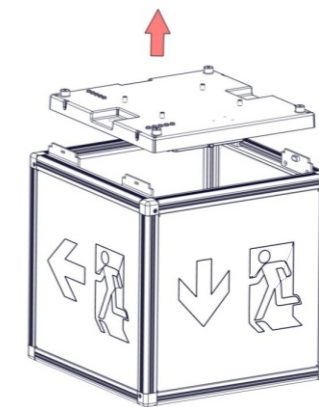


Replace the plastic retaining clip, press until you hear click sound. Follow the same steps for the remaining sides of the pictogram.

**4**

**2**

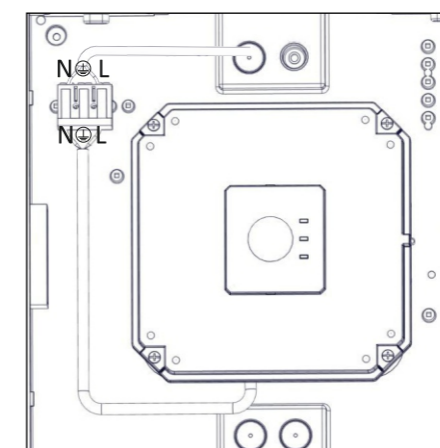
## Ceiling Mounting



Remove the top cover of the luminaire. Fasten the four supplied screws with the wall plugs. Mind the orientation of placement!! The top cover placement is achieved according to the bottom part of the luminaire and the already installed pictograms.

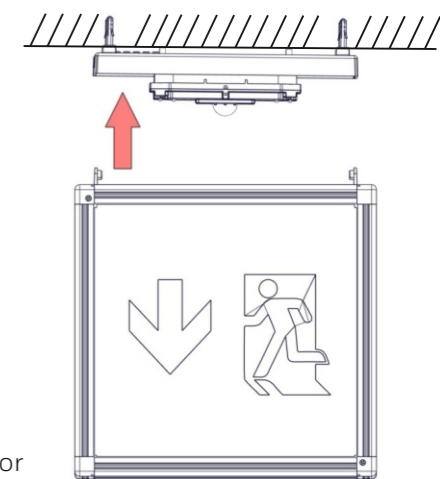
**1**

**2**



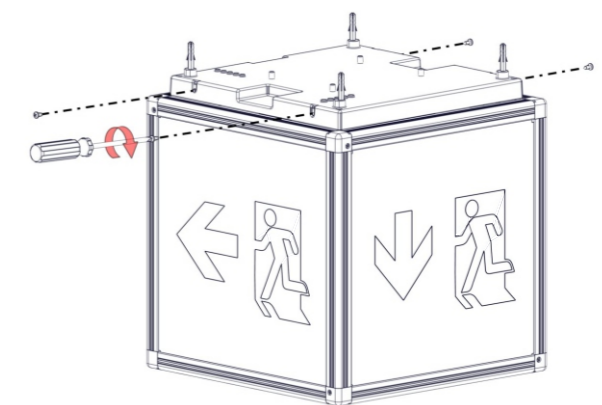
Connect the mains cable. N for neutral, L for live and for ground.

**3**



Place the bottom part of the luminaire to the top cover.

**4**



To mount the luminaire, fasten the four supplied screws to the luminaire's top cover.

**5**

**3**

**1**