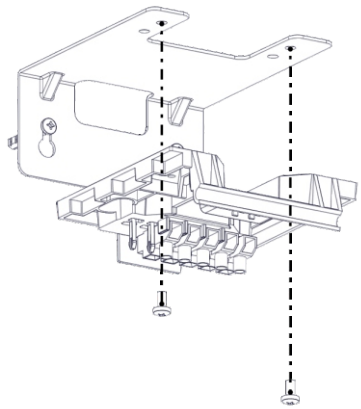
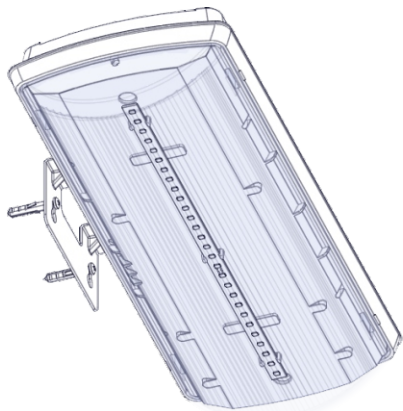


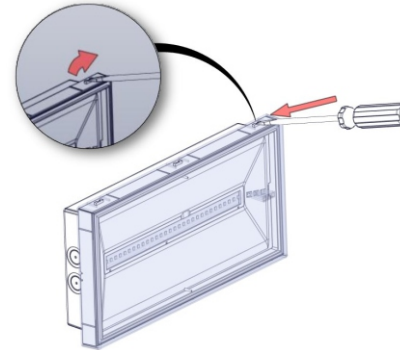
**Step 1:** Measure the distance between the mounting holes and drill the appropriate holes. Use the supplied screws and plugs and install the metallic base.



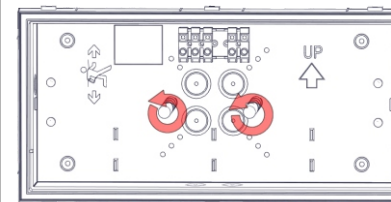
**Step 2:** Install the socket to the metallic base and fasten the two supplied screws.



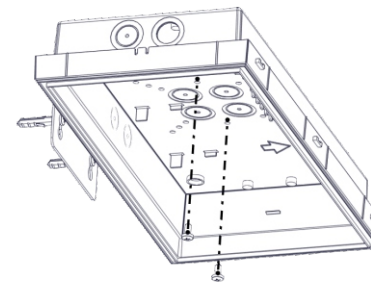
**Step 3:** Install UniLED to the socket.



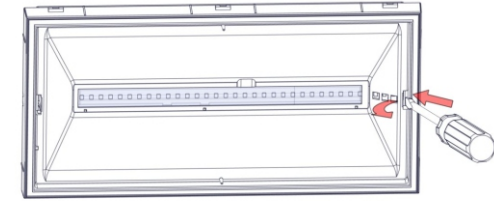
**Step 1:** Pull up gently the diffuser's clips from both sides to remove the diffuser.



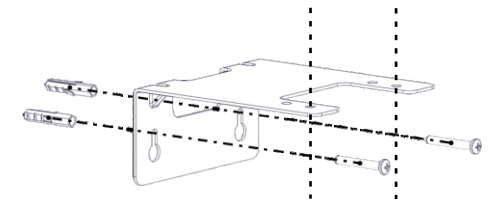
**Step 3:** Drill 2 holes.



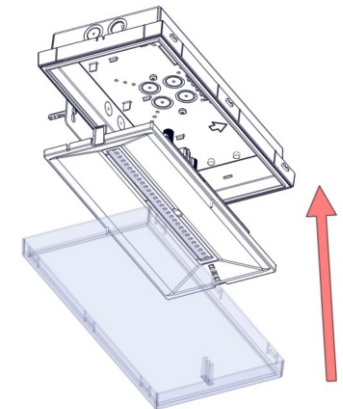
**Step 5:** Install the ImPerLED base to the metallic base and fasten the 2 supplied screws with the 2 sealing o-rings.



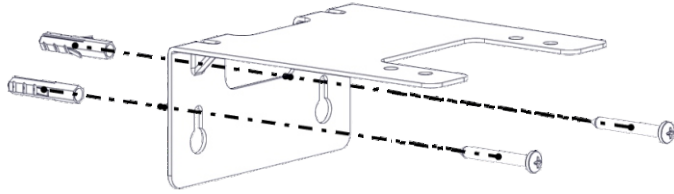
**Step 2:** Pull up gently the reflector.



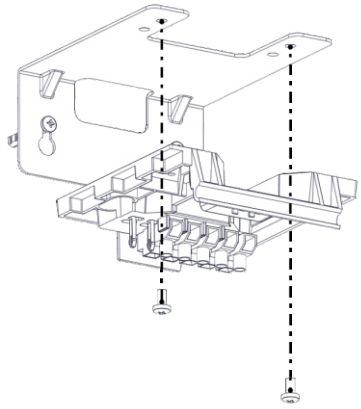
**Step 4:** Measure the distance between the mounting holes and drill the appropriate holes. Use the supplied screws and plugs and install the metallic base. ImPerLED can be installed only on the 2 depicted holes.



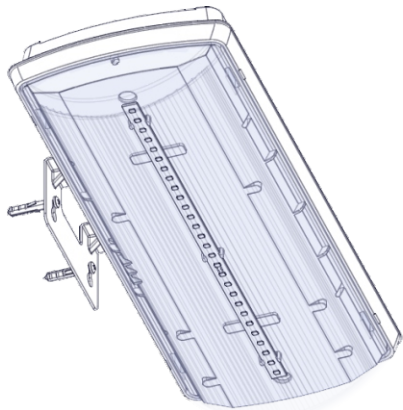
**Step 6:** Refit carefully the removed parts (Step 1 & 2). The diffuser must be secured (click sound). This requirement is important to ensure the IP65 rating.



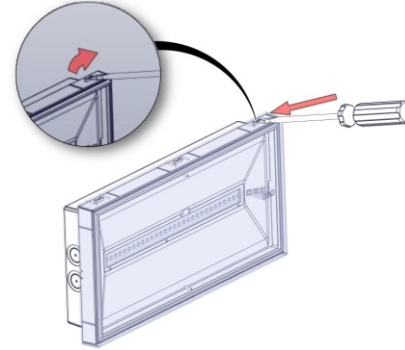
**Step 1:** Measure the distance between the mounting holes and drill the appropriate holes. Use the supplied screws and plugs and install the metallic base.



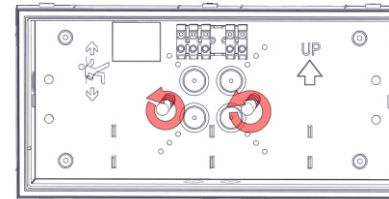
**Step 2:** Install the socket to the metallic base and fasten the two supplied screws.



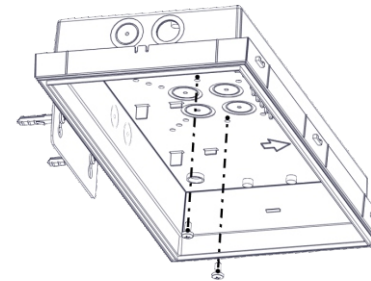
**Step 3:** Install UniLED to the socket.



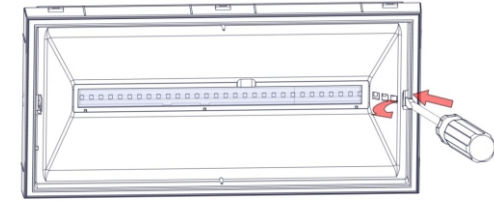
**Step 1:** Pull up gently the diffuser's clips from both sides to remove the diffuser.



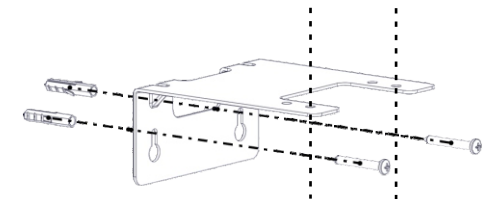
**Step 3:** Drill 2 holes.



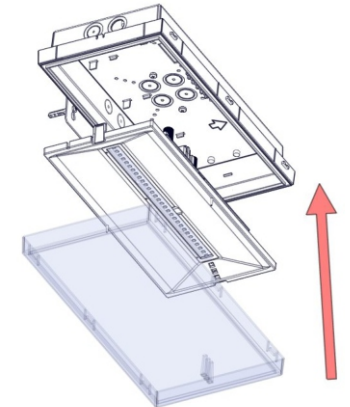
**Step 5:** Install the ImPerLED base to the metallic base and fasten the 2 supplied screws with the 2 sealing o-rings.



**Step 2:** Pull up gently the reflector.



**Step 4:** Measure the distance between the mounting holes and drill the appropriate holes. Use the supplied screws and plugs and install the metallic base. ImPerLED can be installed only on the 2 depicted holes.



**Step 6:** Refit carefully the removed parts (Step 1 & 2). The diffuser must be secured (click sound). This requirement is important to ensure the IP65 rating.